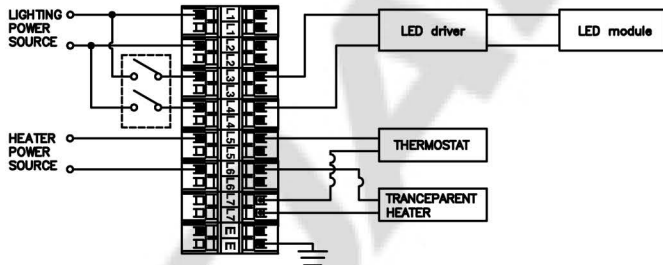
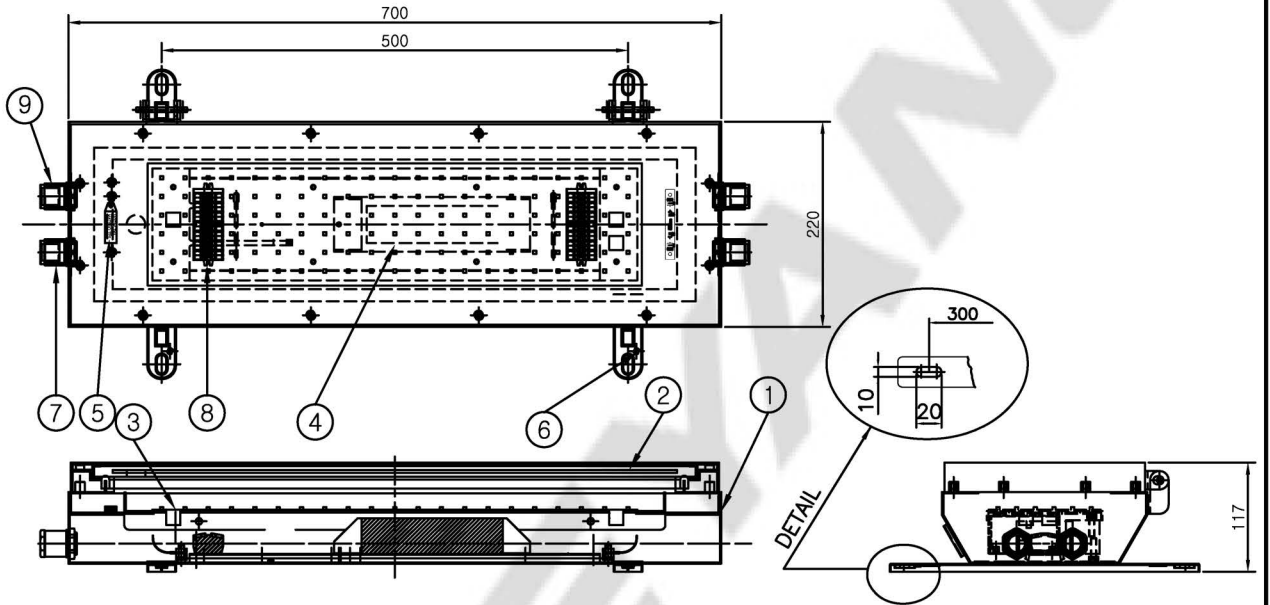
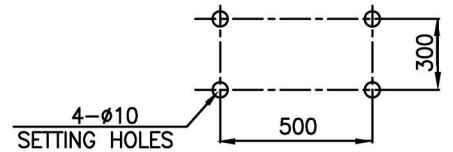


CAPACITY	SYMBOL/ SERIAL NO.	CIRCUIT DIAGRAM
AC230V, 50/60Hz		
25W		



CIRCUIT DIAGRAM



SETTING DIMENSION

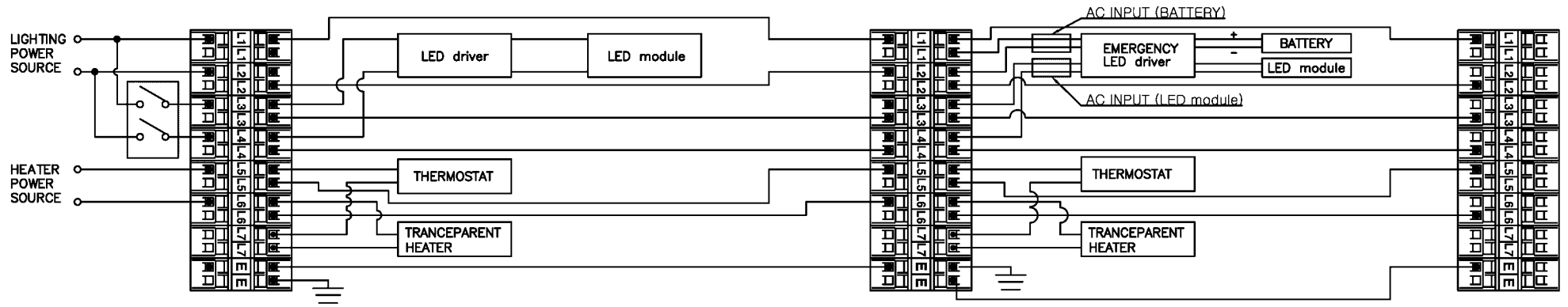
9	CABLE GLAND(M25)	BRASS	2	OSNJ25b (Ø16.1~Ø19.5)					
8	TERMINAL BLOCK	-	2		4	LED driver	-	1	
7	CABLE GLAND(M25)	BRASS	2	OSNJ25a (Ø14~Ø17.5)	3	LED module	-	1	
6	OUTSIDE EARTH BOLT	STAINLESS STEEL316	1	M5	2	TRANSPARENT HEATER	TEMPERED GLASS	1	
5	THERMOSTAT	-	1		1	BODY	STAINLESS STEEL316	1	
NO	NAME OF PARTS	MATERIAL	Q'TY	REMARKS	NO	NAME OF PARTS	MATERIAL	Q'TY	REMARKS

APPROVED	S . H. HONG	UNIT	mm
CHECKED		SCALE	N/S
DRAWING	J. Y. LEE	COLOR	N-9.3
DATE	2017.06.01	IP	66

TITLE;				LED CEILING LIGHT (PENDANT TYPE) FOR MARINE USE			
--------	--	--	--	---	--	--	--

		MODEL NO.	LEB125WSP-0236UWNM4C50-I	WEIGHT	14 Kg
		DWG NO.	LO1450157	SHEET NO.	31A

NO	CONTENT	DATE	REVISER	APPROVAL
△				
△				
△				



Connection Diagram	SCALE	1/1	UNIT	MM	NO.	REVISED
	PROJECT METHOD		WEIGHT	KG	△	
	APPROVED	B. K. KIM			△	
	CHECKED	W. J. JI			MATERIAL	ASS'Y
	DRAWN	B. I. KIM			DWG NO.	
	DATE	2016. 02. 01			SHEET NO.	